

800 Series

- Spun decorative hexagon
- 3/16" taper per foot
- Available in heights up to 14'

Pole Dimensions

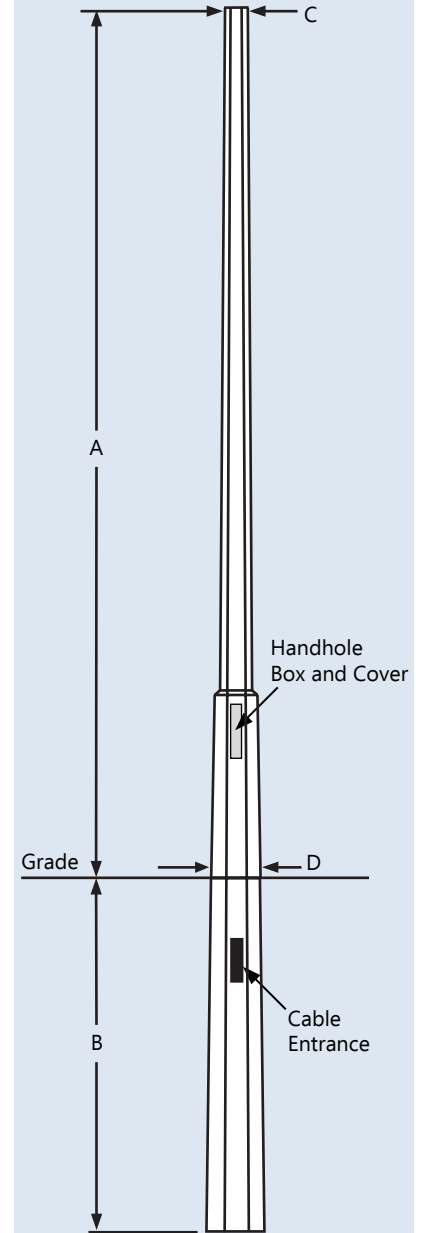
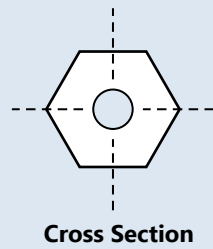
Pole No.	[A] Above Ground Height	[B] Burial Depth	[C] Tip Diameter	[D] Base Diameter	Est. Pole Weight (lbs)*
D806	6'	4'	5-1/4"	10"	525
D807	7'	4'	5-1/4"	10"	535
D808	8'	4'	5-1/8"	10"	550
D809	9'	4'	5"	10"	560
D810	10'	4'	4-3/4"	10"	570
D811	11'	4'	4-1/2"	10"	580
D812	12'	4'	4-1/4"	10"	590
D813	13'	4'	4-1/8"	10"	595
D814	14'	4'	4"	10"	600

*Pole weight may vary based on color of aggregate.

Pole Code

Mounting Type	Series + Above Ground Height	Color	Finish	Sealer	Options
(D) Direct Burial (A) Anchor Base	806 807 808 809 810 811 812 813 814	(SG) Sky Gray (PG) Pearl Gray (SP) Salt & Pepper (CN) Cinnamon (BZ) Bronze (CB) Charcoal Black (MS) Midnight Sky Black (EB) Eclipse Black (DB) Dark Black (SR) Sedona Red (AR) Antique Red (RG) Red Granite (TC) Terra Cotta (KG) Kelly Green (AW) Alpine White	(E) Etched (P) Polished	(A) Acrylic (W) Waterseal (G) Anti-Graffiti	(B) Banner Arm (I) Threaded Insert (O) Outlet (T) Tenon Standard tenon size 2-7/8" OD x 3" tall

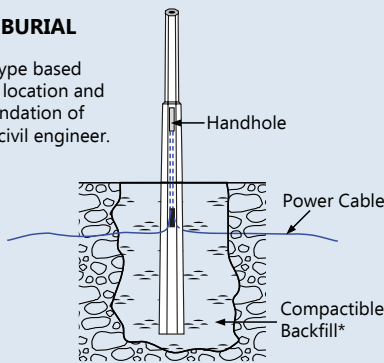
Example Code: **D814** - **SG** - **EA** - **3T**



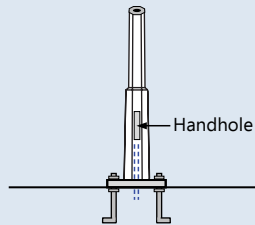
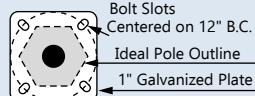
Base Detail

DIRECT BURIAL

*Backfill type based on soil of location and recommendation of qualified civil engineer.



ANCHOR BASE



PO Box 157
W142 N9110 Fountain Blvd.
Menomonee Falls, WI 53052-0157
(888) 719-7599
(262) 250-7598 fax
info@concretepoles.com
www.concretepoles.com