

400 Series

- Spun straight-taper octagon
- 1/8" taper per foot
- Available in lengths up to 21'

Pole Dimensions

Pole No.	[A] Above Ground Height	[B] Burial Depth	[C] Tip Diameter	[D] Base Diameter	Est. Pole Weight (lbs)*
D408	8'	4'	4"	5"	260
D410	10'	4'	4"	5-1/8"	300
D412	12'	4'	4"	5-1/2"	350
D414	14'	4'	4"	5-3/4"	400
D416	16'	5'	4"	6"	500

*Pole weight may vary based on color of aggregate.

Pole Code

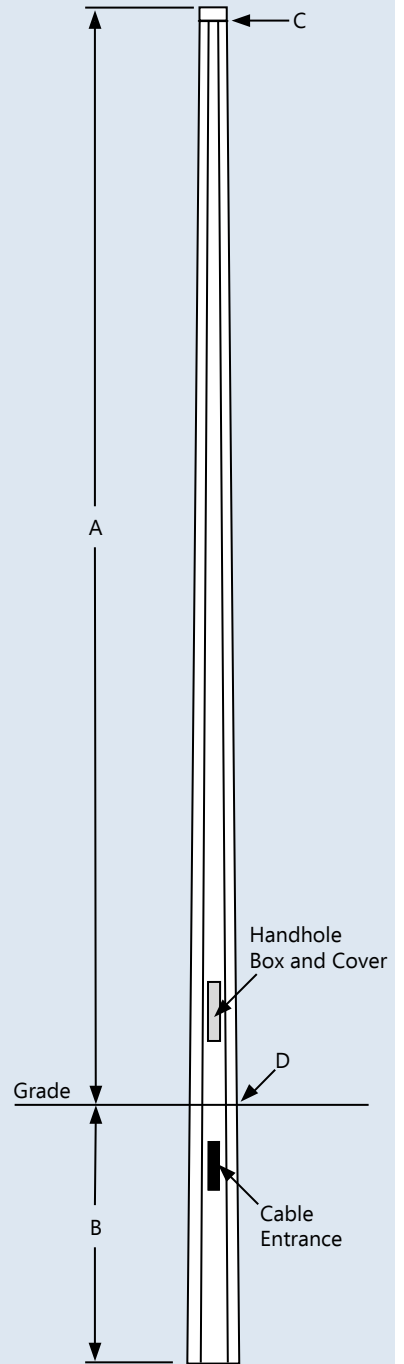
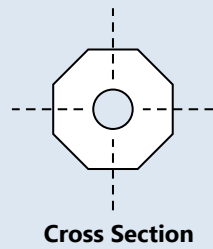
Mounting Type	Series + Above Ground Height	Color	Finish	Sealer	Options
(D) Direct Burial (A) Anchor Base	408 410 412 414 416	(SG) Sky Gray (PG) Pearl Gray (SP) Salt & Pepper (CN) Cinnamon (BZ) Bronze (CB) Charcoal Black (MS) Midnight Sky Black (EB) Eclipse Black (DB) Dark Black (SR) Sedona Red (AR) Antique Red (RG) Red Granite (TC) Terra Cotta (KG) Kelly Green (AW) Alpine White	(E) Etched (P) Polished	(A) Acrylic (W) Waterseal (G) Anti-Graffiti	(B) Banner Arm (I) Threaded Insert (O) Outlet (T) Tenon Standard tenon size 2-7/8" OD x 3" tall

Example Code:

D414

EA

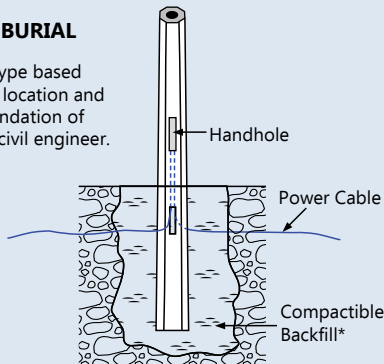
3T



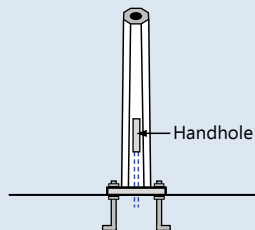
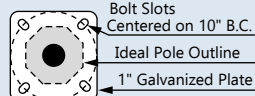
Base Detail

DIRECT BURIAL

*Backfill type based on soil of location and recommendation of qualified civil engineer.



ANCHOR BASE



PO Box 157
W142 N9110 Fountain Blvd.
Menomonee Falls, WI 53052-0157
(888) 719-7599
(262) 250-7598 fax
info@concretepoles.com
www.concretepoles.com