

2000 Series

- Spun Decorative
- 10 Flutes
- Available in heights up to 15'

Pole Dimensions

Pole No.	[A] Above Ground Height	[B] Burial Depth	[C] Tip Diameter	Base Diameter	Est. Pole Weight (lbs)*
D2010	10'	4' 6"	5-3/4"	21"	660
D2013	13'	4' 6"	5-1/4"	21"	730
D2015	15'	4' 6"	5"	21"	900
A2015	15'	----	5"	21"	700

*Pole weight may vary based on color of aggregate.

Pole Code

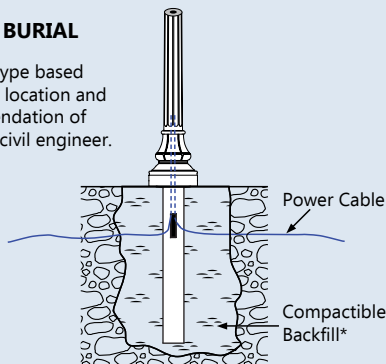
Mounting Type	Series + Above Ground Height	Color	Finish	Sealer	Options
(D) Direct Burial (A) Anchor Base	2010 2013 2015	(SG) Sky Gray (PG) Pearl Gray (SP) Salt & Pepper (CN) Cinnamon (BZ) Bronze (CB) Charcoal Black (MS) Midnight Sky Black (EB) Eclipse Black (DB) Dark Black (SR) Sedona Red (AR) Antique Red (RG) Red Granite (TC) Terra Cotta (KG) Kelly Green (AW) Alpine White	(E) Etched	(A) Acrylic (W) Waterseal (G) Anti-Graffiti	(B) Banner Arm (I) Threaded Insert (O) Outlet (T) Tenon Standard tenon size 2-7/8" OD x 3" tall

Example Code: **D2015** - **SG** - **EA** - **3T**

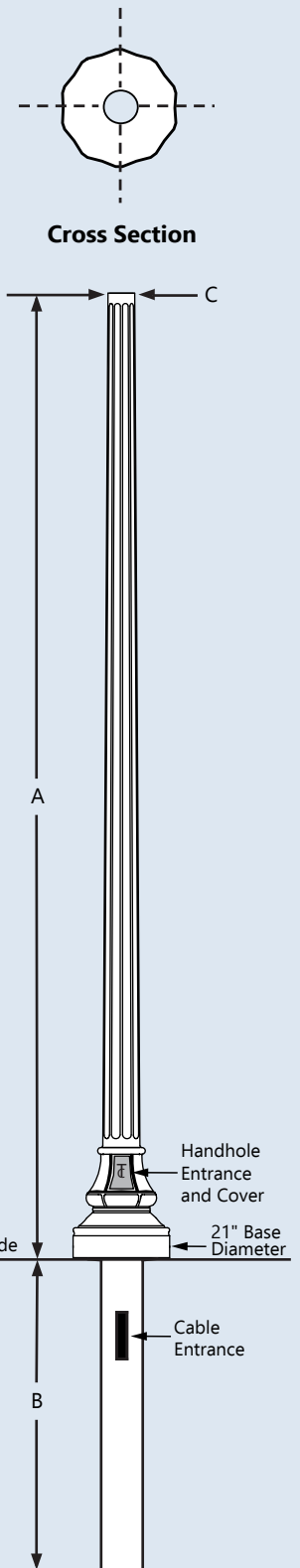
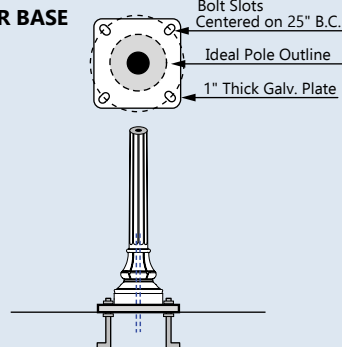
Base Detail

DIRECT BURIAL

*Backfill type based on soil of location and recommendation of qualified civil engineer.



ANCHOR BASE



PO Box 157
W142 N9110 Fountain Blvd.
Menomonee Falls, WI 53052-0157
(888) 719-7599
(262) 250-7598 fax
info@concretepoles.com
www.concretepoles.com