

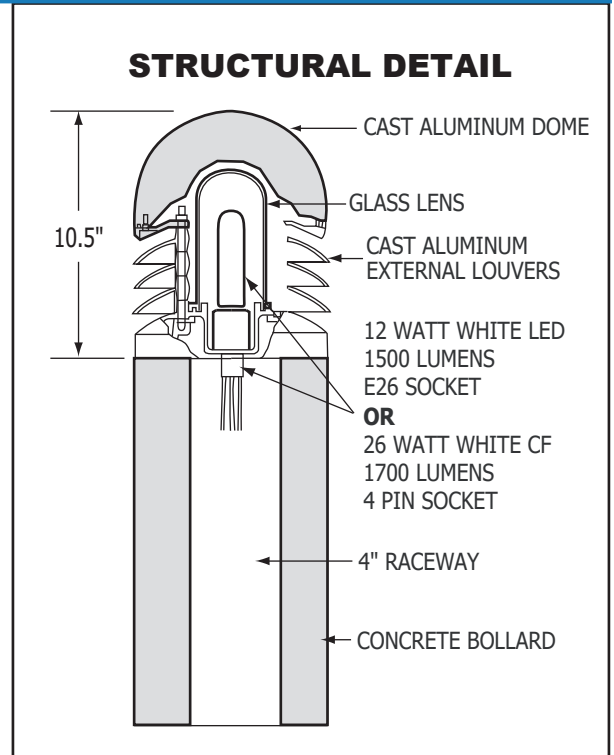
Concrete Light Bollard

300 Series, Round



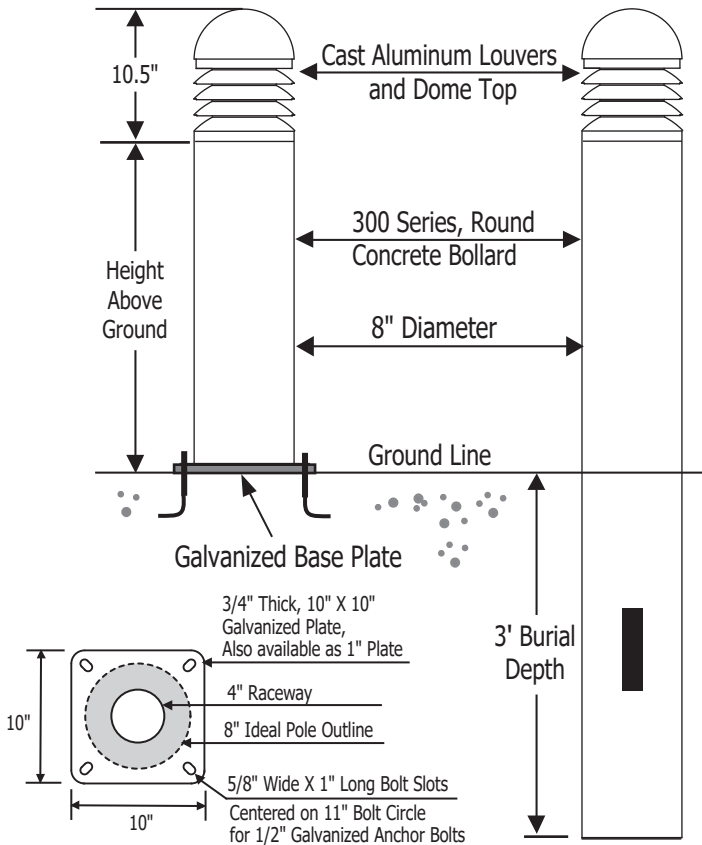
Traditional Concrete's round concrete bollard is durable and strong and is available with a number of light fixture options.

- Anchor base or direct burial
- Various color and sealer options
- LED or compact fluorescent light fixture options



Anchor Base

Direct Burial



Standard

Code: **D303-SG-EA**

Bollard Code

Mounting Type	Series+ Height Above Ground	Color Options	Finish	Sealer
(D) Direct Burial (A) Anchor Base	(303) 36" (304) 42"	(SG) Sky Gray (standard) (SP) Salt & Pepper (PG) Pearl Gray (CB) Charcoal Black (MS) Midnight Sky Black (EB) Eclipse Black (CN) Cinnamon (BZ) Bronze (WB) Walnut Brown (SR) Sedona Red (TC) Terra Cotta (KG) Kelly Green	(E) Etched	(A) Acrylic (W) Waterseal (G) Anti-Graffiti

Light Fixture Code

Standard

Code: **BLK-WW-120**

Color	Lamp	Voltage
WH	WW - Warm White (2700-3500K)	120
BZ	NW - Neutral White (4000-4500K)	208
BLK	CW - Cool White (5500-6700K) CF - Compact Fluorescent	277



P.O. Box 157, W142 N9110 Fountain Blvd.
Menomonee Falls, WI 53052-0157
(888) 719-7599 info@concretepoles.com
www.concretepoles.com