

Turtle-Friendly LED Light Bollard

300 Series, Round

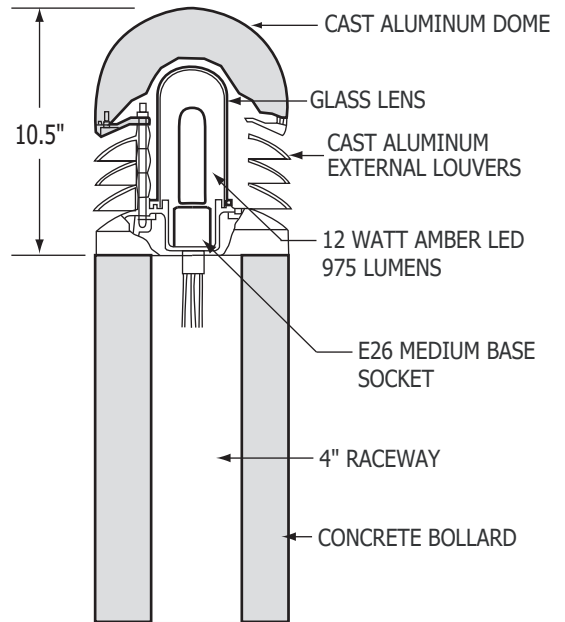


Traditional Concrete's round concrete bollard is available with a turtle-friendly light fixture in a cast aluminum shield.

- Anchor base or direct burial
- Various color and sealer options
- LED light fixture options

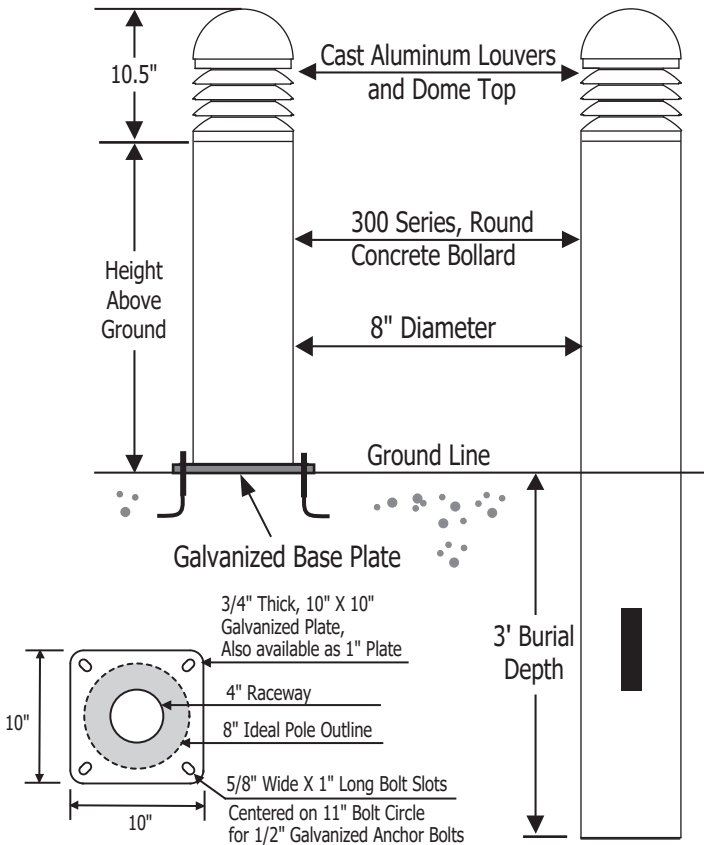
A shield blocks light 180° or 270° around the post, while the turtle-friendly amber light shines through the remaining 90° or 180°. These bollards are certified to be turtle-friendly with the Florida Fish & Wildlife Conservation Commission.

STRUCTURAL DETAIL



Anchor Base

Direct Burial



Standard

Code: **D303 - SG - EA**

Bollard Code

Mounting Type	Series+ Height Above Ground	Color Options	Finish	Sealer
(D) Direct Burial	(303) 36"	(SG) Sky Gray (standard)	(E) Etched	(A) Acrylic
(A) Anchor Base	(304) 42"	(SP) Salt & Pepper		(W) Waterseal
		(PG) Pearl Gray		(G) Anti-Graffiti
		(CB) Charcoal Black		
		(MS) Midnight Sky Black		
		(EB) Eclipse Black		
		(CN) Cinnamon		
		(BZ) Bronze		
		(WB) Walnut Brown		
		(SR) Sedona Red		
		(TC) Terra Cotta		
		(KG) Kelly Green		

Light Fixture Code

Standard

Code: **BLK - TFAMB - 120 - 180**

Color	LED Lamp	Voltage	Shield
WH	TFAMB (585 NM)	120	180
BZ		208	270
BLK		277	



P.O. Box 157, W142 N9110 Fountain Blvd.
Menomonee Falls, WI 53052-0157
(888) 719-7599 info@concretepoles.com
www.concretepoles.com

