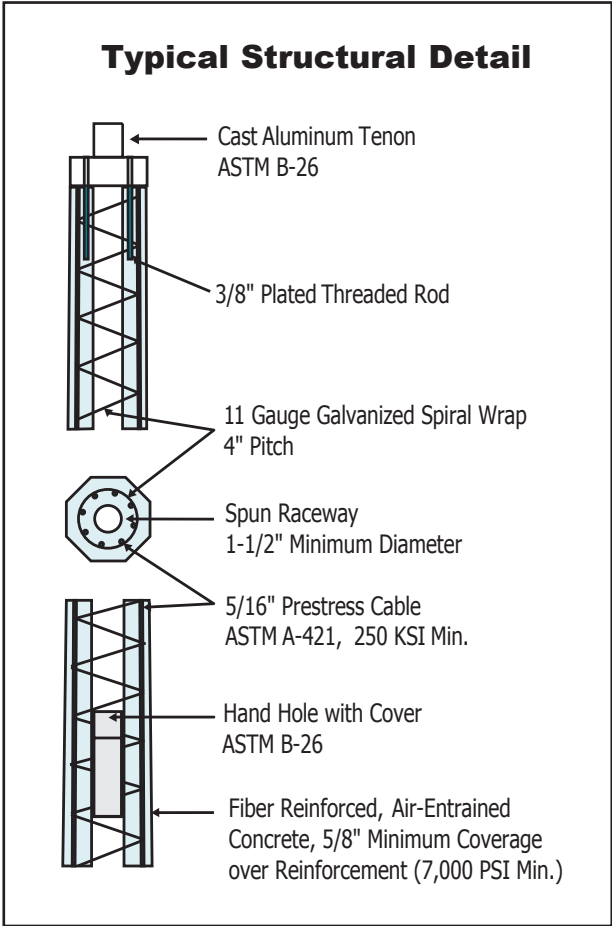
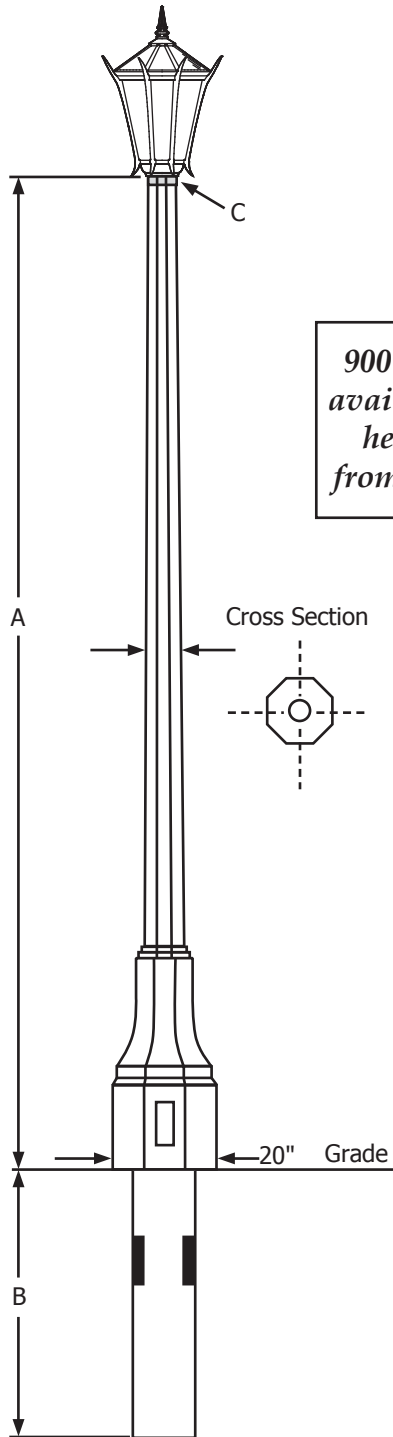


900 Series

Spun octagon



Pole Dimensions

Pole No.	Above Ground Height (A)	Burial Depth (B)	Tip Diameter (C)	Base Diameter	Est. Pole Weight (lbs.)
D912	12'	4'	6-1/8"	20"	1,300
D915	15'	4'	6"	20"	1,450
D930	30'	5' 6"	6"	20"	1,900

Pole Code

Standard Code: **D915 - SG - EA - 3T**

Mounting Type	Series + Height Above Ground	Color	Finish	Sealer	Options
(D) Direct Burial	912 915 930	(SG) Sky Gray (SP) Salt & Pepper (CB) Charcoal Black (MS) Midnight Sky Black (EB) Eclipse Black (RG) Red Granite (AR) Antique Red (RR) Rustic Red (SR) Sedona Red (TC) Terra Cotta (KG) Kelly Green (BZ) Bronze	(E) Etched	(A) Acrylic (W) Waterseal	(B) Banner Arm (C) Clamp-on Arm (D) Davit Arm (F) Finial (G) Ground Lug (I) Threaded Insert (M) Mushroom Top (O) Outlet (T) Tenon



P.O. Box 157
W142 N9110 Fountain Blvd.
Menomonee Falls, WI 53052-0157
(888) 719-7599
(262) 250-7598 fax
info@concretepoles.com
www.concretepoles.com