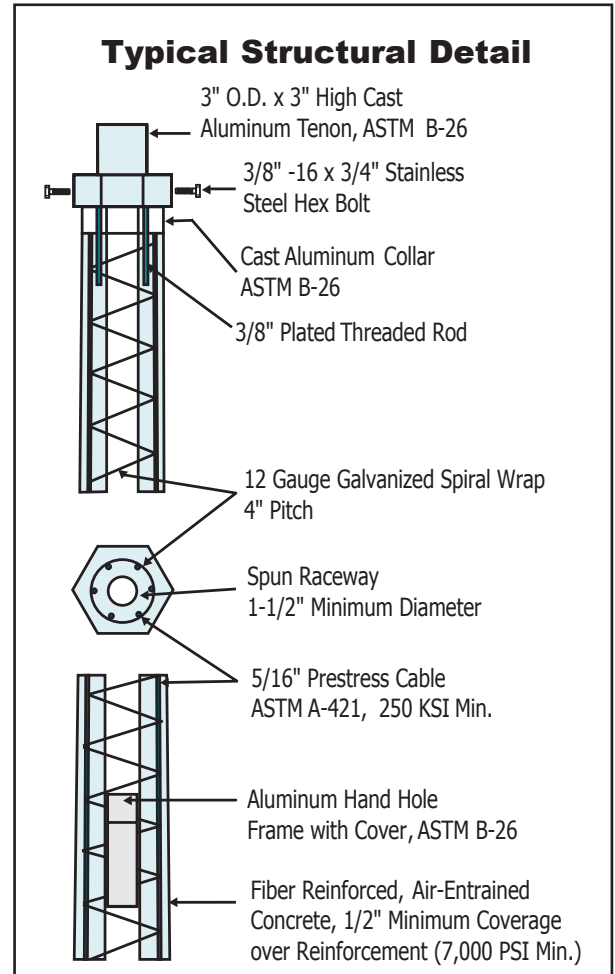
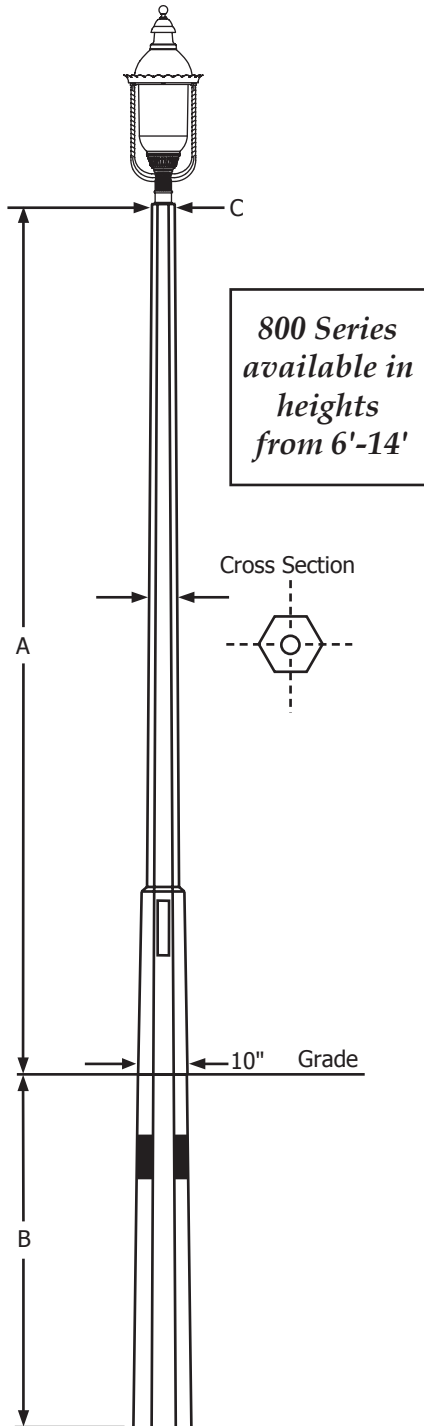


800 Series

Spun decorative hexagon, 3/16" taper per foot



Pole Dimensions

Pole No.	Above Ground Height (A)	Burial Depth (B)	Tip Diameter (C)	Base Diameter	Est. Pole Weight (lbs.)
D806	6'	4'	5-1/4"	10"	525
D807	7'	4'	5-1/4"	10"	535
D808	8'	4'	5-1/8"	10"	550
D809	9'	4'	5"	10"	560
D810	10'	4'	4-3/4"	10"	570
D811	11'	4'	4-1/2"	10"	580
D812	12'	4'	4-1/4"	10"	590
D813	13'	4'	4-1/8"	10"	595
D814	14'	4'	4"	10"	600

Anchor Base Units are available upon request. Standard bolt circle is 12-1/2".

Pole Code

Standard Code: **D814 - SG - EA - 3T**

Mounting Type	Series + Height Above Ground	Color	Finish	Sealer	Options
(D) Direct Burial	806	(SG) Sky Gray	(E) Etched	(A) Acrylic	(G) Ground Lug
(A) Anchor Base	807	(SP) Salt & Pepper	(P) Polished	(W) Waterseal	(I) Threaded Insert
	808	(CB) Charcoal Black			(O) Outlet
	809	(MS) Midnight Sky Black			(P) Photo Cell
	810	(EB) Eclipse Black			(T) Tenon
	811	(RG) Red Granite			
	812	(AR) Antique Red			
	813	(RR) Rustic Red			
	814	(SR) Sedona Red			
		(TC) Terra Cotta			
		(KG) Kelly Green			
		(BZ) Bronze			



P.O. Box 157
 W142 N9110 Fountain Blvd.
 Menomonee Falls, WI 53052-0157
 (888) 719-7599
 (262) 250-7598 fax
 info@concretepoles.com
 www.concretepoles.com