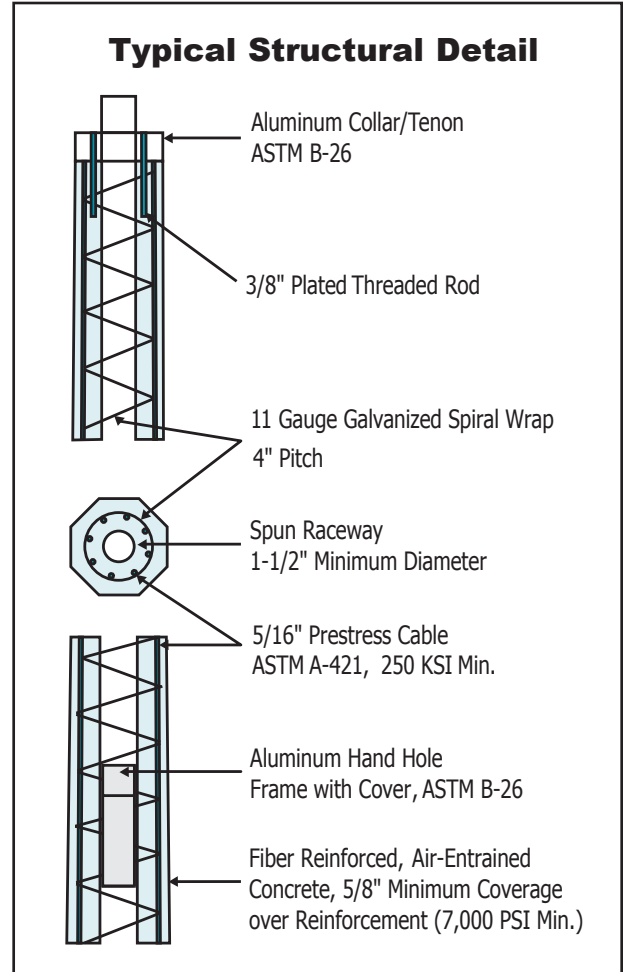
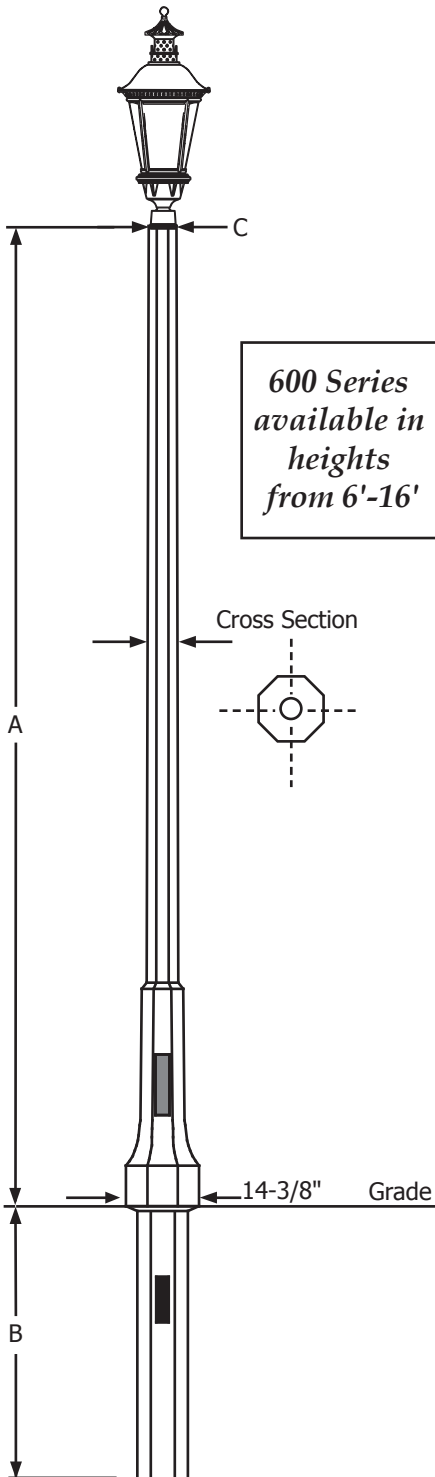


600 Series

Spun decorative octagon, 1/12" taper per foot



Pole Dimensions

Pole No.	Above Ground Height (A)	Burial Depth (B)	Tip Dia. (C)	Base Diameter	Est. Pole Weight (lbs.)
D606	6'	4' 6"	6"	14-3/8"	690
D607	7'	4' 6"	5-7/8"	14-3/8"	710
D608	8'	4' 6"	5-3/4"	14-3/8"	730
D610	10'	4' 6"	5-5/8"	14-3/8"	780
D612	12'	4' 6"	5-1/2"	14-3/8"	830
D613	13'	4' 6"	5-3/8"	14-3/8"	850
D615	15'	4' 6"	5-1/4"	14-3/8"	880
D616	16'	4' 6"	5-1/8"	14-3/8"	900

Anchor Base Units are available upon request. Standard bolt circle is 11".

Pole Code

Standard Code: **D616 - SG - EA - 3T**

Mounting Type	Series + Height Above Ground	Color	Finish	Sealer	Options
(D) Direct Burial (A) Anchor Base	606 607 608 610 612 613 615 616	(SG) Sky Gray (SP) Salt & Pepper (CB) Charcoal Black (MS) Midnight Sky Black (EB) Eclipse Black (RG) Red Granite (AR) Antique Red (RR) Rustic Red (SR) Sedona Red (TC) Terra Cotta (KG) Kelly Green (BZ) Bronze	(E) Etched (P) Polished	(A) Acrylic (W) Waterseal	(B) Banner Arm (C) Clamp-on Arm (D) Davit Arm (F) Finial (G) Ground Lug (H) Bull Horn (I) Threaded Insert (O) Outlet (P) Photo Cell (T) Tenon



P.O. Box 157
W142 N9110 Fountain Blvd.
Menomonee Falls, WI 53052-0157
(888) 719-7599
(262) 250-7598 fax
info@concretepoles.com
www.concretepoles.com