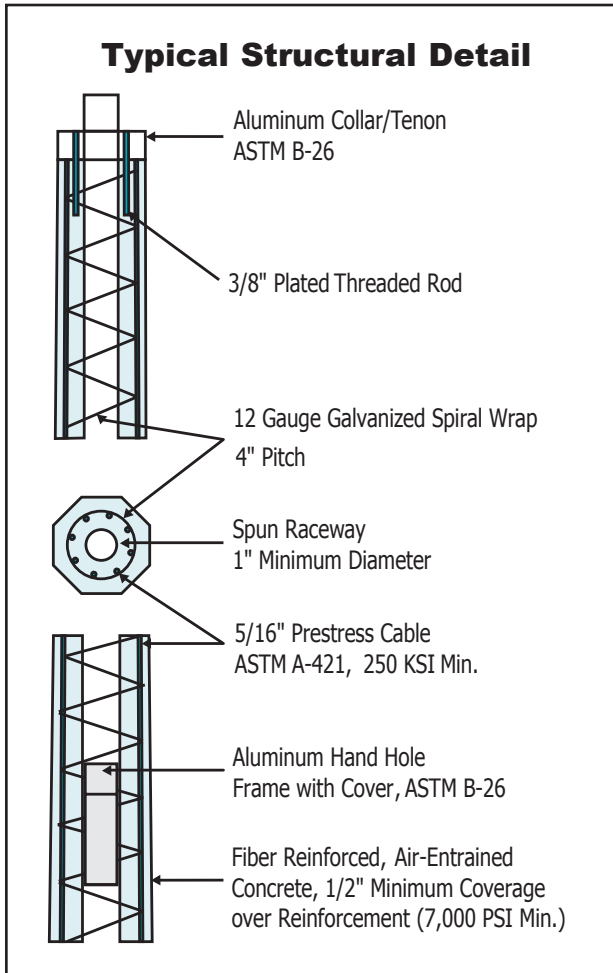
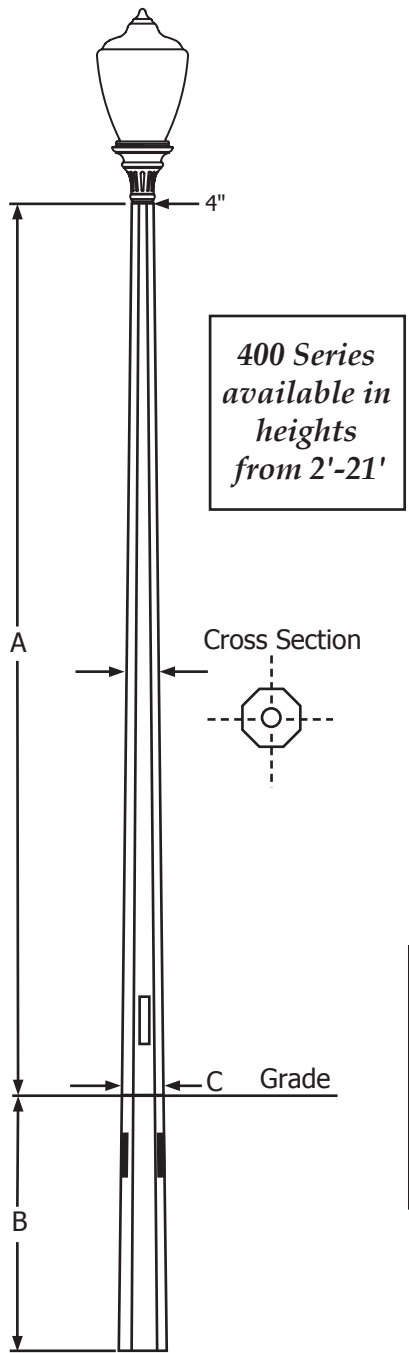


# 400 Series

Spun straight-taper octagon



### Pole Dimensions

Pole No.	Above Ground Height (A)	Burial Depth (B)	Tip Diameter	Base Diameter (C)	Est. Pole Weight (lbs.)
D408	8'	4'	4"	5"	260
D410	10'	4'	4"	5-1/8"	300
D412	12'	4'	4"	5-1/2"	350
D414	14'	4'	4"	5-3/4"	400
D416	16'	5'	4"	6"	500

Anchor Base Units are available upon request. Standard bolt circle is 10".

### Pole Code

Standard Code: **D414 - SG - PA - 3T**

Mounting Type	Series + Height Above Ground	Color	Finish	Sealer	Options
(D) Direct Burial	408	(SG) Sky Gray	(E) Etched	(A) Acrylic	(B) Banner Arm
(A) Anchor Base	410	(SP) Salt & Pepper	(P) Polished	(W) Waterseal	(H) Bull Horn
	412	(CB) Charcoal Black			(I) Threaded Insert
	414	(MS) Midnight Sky Black			(T) Tenon
	416	(EB) Eclipse Black			
		(RG) Red Granite			
		(AR) Antique Red			
		(RR) Rustic Red			
		(SR) Sedona Red			
		(TC) Terra Cotta			
		(KG) Kelly Green			
		(BZ) Bronze			



P.O. Box 157  
 W142 N9110 Fountain Blvd.  
 Menomonee Falls, WI 53052-0157  
 (888) 719-7599  
 (262) 250-7598 fax  
 info@concretepoles.com  
 www.concretepoles.com