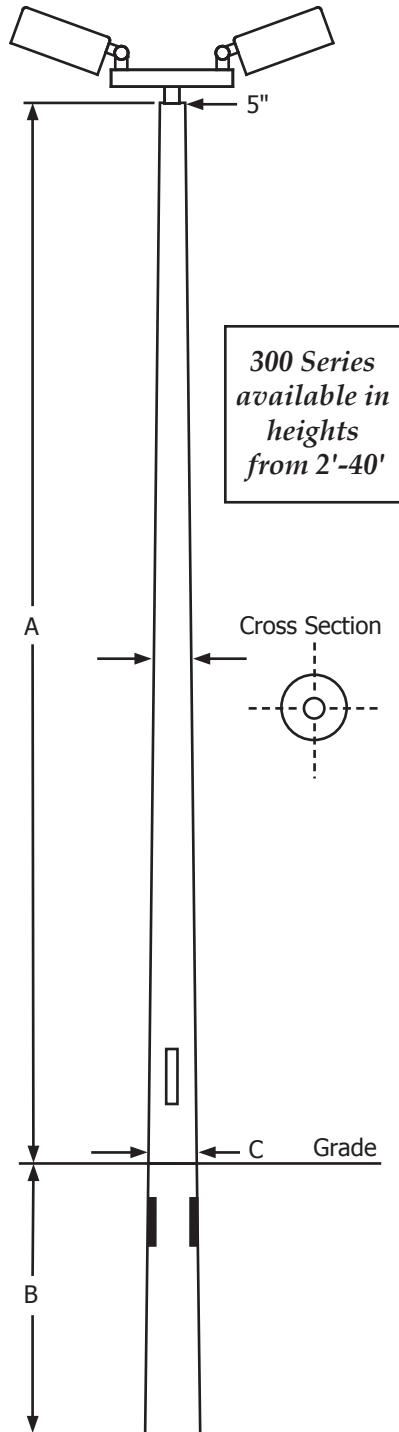
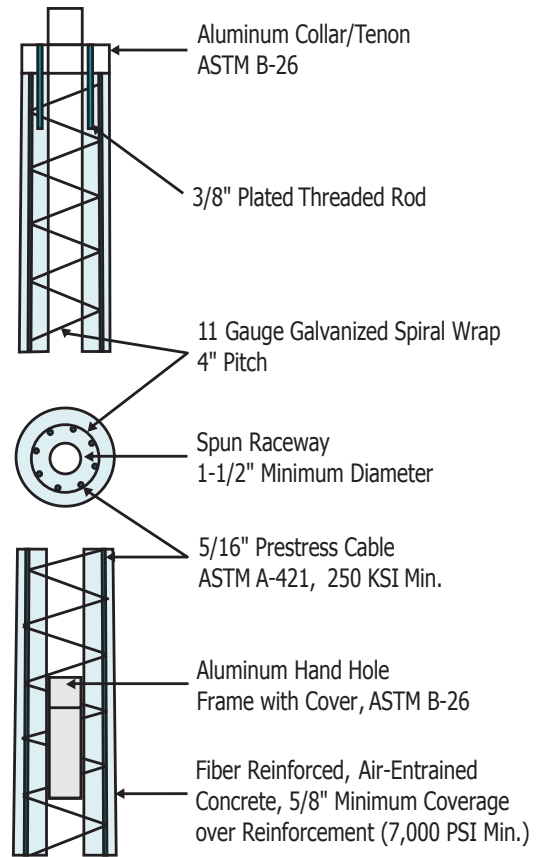


# 300 Series

Spun round, 1/8" taper per foot



## Typical Structural Detail



## Pole Dimensions

Pole No.	Above Ground Height (A)	Burial Depth (B)	Tip Diameter	Base Diameter (C)	Est. Pole Weight (lbs.)
D313	13'	5'	5"	6-5/8"	550
D315	15'	5'	5"	6-7/8"	600
D320	20'	5'	5"	7-1/2"	850
D323	23'	5'	5"	7-7/8"	1,000
D325	25'	5'	5"	8-1/8"	1,100
D328	28'	5'	5"	8-1/2"	1,300
D330	30'	6'	5"	8-3/4"	1,450

Anchor Base units may be available upon request. Anchor Base tip diameters may vary.

## Pole Code

Standard Code: **D330 - SG - EA - 3T**

Mounting Type	Series + Height Above Ground	Color	Finish	Sealer	Options
(D) Direct Burial	313	(SG) Sky Gray	(E) Etched	(A) Acrylic	(B) Banner Arm
(A) Anchor Base	315	(SP) Salt & Pepper		(W) Waterseal	(C) Clamp-on Arm
	320	(CB) Charcoal Black			(F) Finial
	323	(MS) Midnight Sky Black			(G) Ground Lug
	325	(EB) Eclipse Black			(H) Bull Horn
	330	(RG) Red Granite			(I) Threaded Insert
		(AR) Antique Red			(O) Outlet
		(RR) Rustic Red			(P) Photo Cell
		(SR) Sedona Red			(T) Tenon
		(TC) Terra Cotta			
		(KG) Kelly Green			
		(BZ) Bronze			



P.O. Box 157  
 W142 N9110 Fountain Blvd.  
 Menomonee Falls, WI 53052-0157  
 (888) 719-7599  
 (262) 250-7598 fax  
 info@concretepoles.com  
 www.concretepoles.com