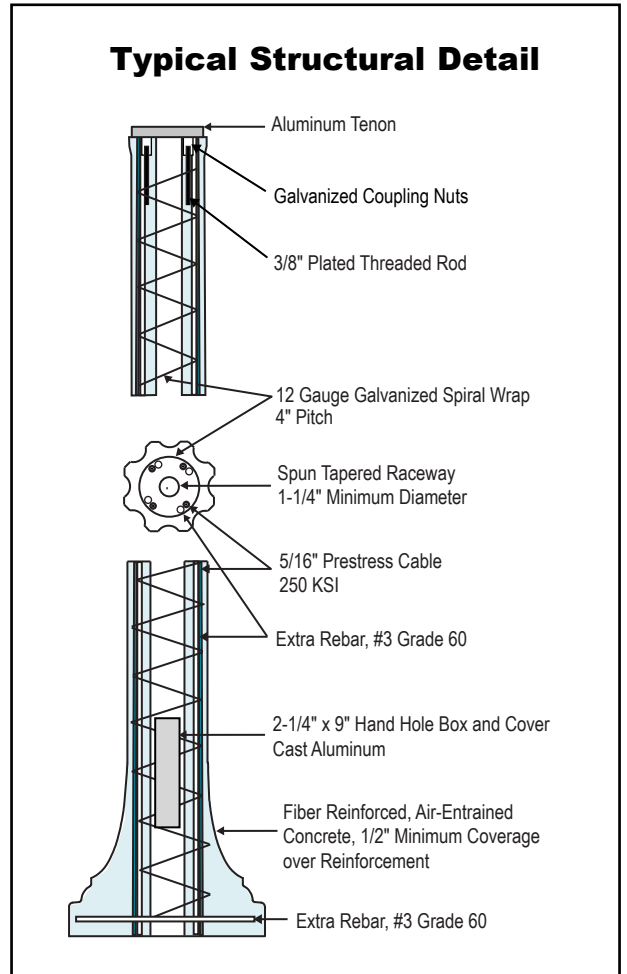
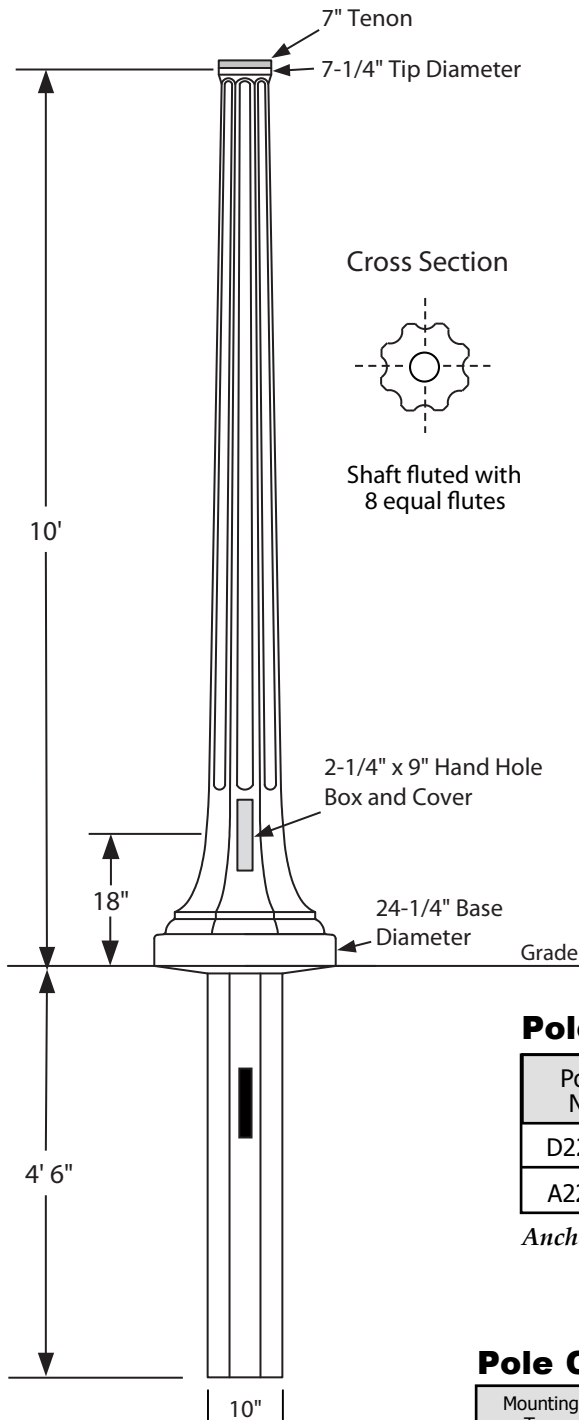


2200 Series

Spun Decorative



Pole Dimensions

Pole No.	Above Ground Height (A)	Burial Depth (B)	Tip Diameter (C)	Base Diameter	Est. Pole Weight (lbs.)
D2210	10'	4' 6"	7-1/4"	24-1/4"	
A2210	10'	----	7-1/4"	24-1/4"	

Anchor Base units are available.

Pole Code

Standard Code: **D2210 - SG - EA 7T**

Mounting Type	Series + Height Above Ground	Color	Finish	Sealer	Options
(D) Direct Burial (A) Anchor Base	2111	(SG) Sky Gray (SP) Salt & Pepper (CB) Charcoal Black (MS) Midnight Sky Black (EB) Eclipse Black (RG) Red Granite (AR) Antique Red (RR) Rustic Red (SR) Sedona Red (TC) Terra Cotta (KG) Kelly Green (BZ) Bronze	(E) Etched	(A) Acrylic (W) Waterseal	(B) Banner Arm (I) Threaded Insert (O) Outlet (T) Tenon



P.O. Box 157
W142 N9110 Fountain Blvd.
Menomonie Falls, WI 53052-0157
(888) 719-7599
(262) 250-7598 fax
info@concretepoles.com
www.concretepoles.com