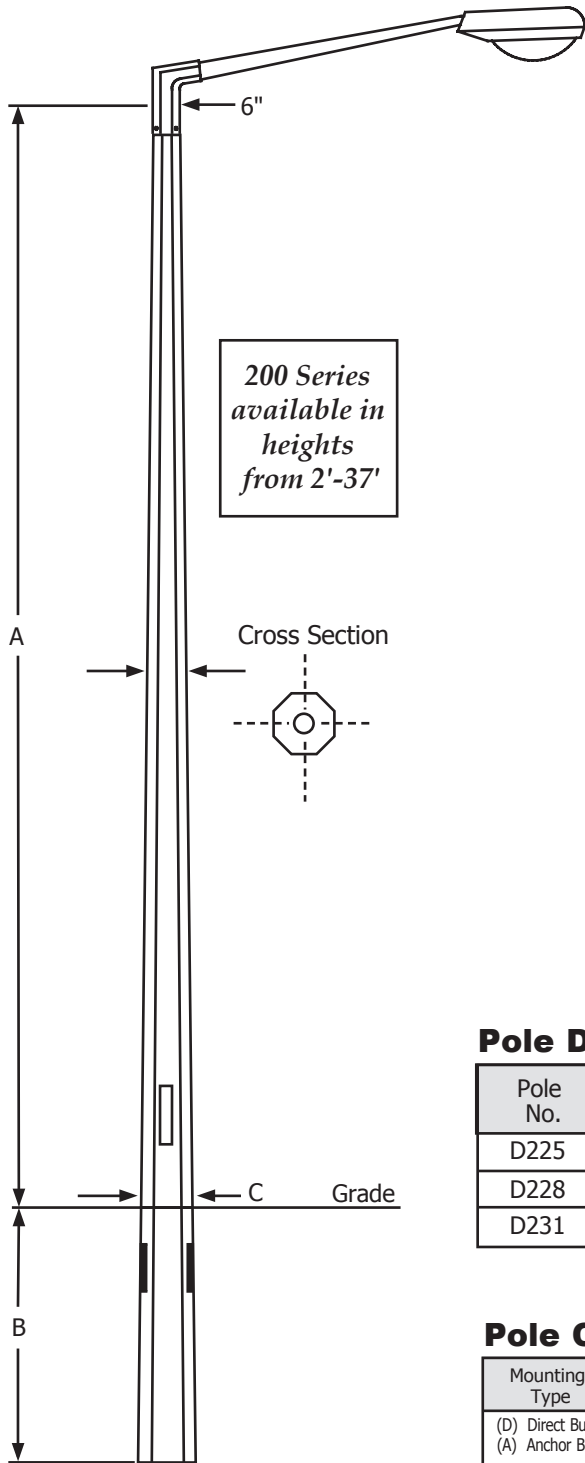
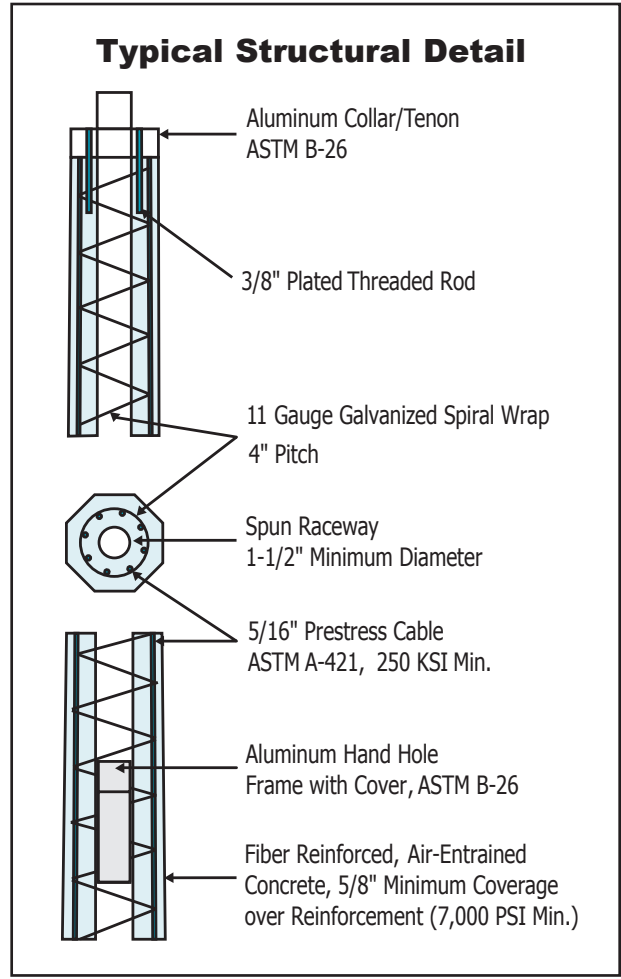
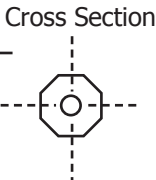


200 Series

Spun straight-taper octagon, 1/8" taper per foot



200 Series available in heights from 2'-37'



Pole Dimensions

Pole No.	Above Ground Height (A)	Burial Depth (B)	Tip Diameter	Base Diameter (C)	Est. Pole Weight (lbs.)
D225	25'	6'	6"	9-1/8"	1,375
D228	28'	6'	6"	9-1/2"	1,600
D231	31'	6'	6"	9-7/8"	1,900

Pole Code

Standard Code: **D231 - SG - PA - D**

Mounting Type	Series + Height Above Ground	Color	Finish	Sealer	Options
(D) Direct Burial	225	(SG) Sky Gray	(E) Etched	(A) Acrylic	(B) Banner Arm
(A) Anchor Base	228	(SP) Salt & Pepper	(P) Polished	(W) Waterseal	(C) Clamp-on Arm
	231	(CB) Charcoal Black			(D) Davit Arm
		(MS) Midnight Sky Black			(F) Finial
		(EB) Eclipse Black			(G) Ground Lug
		(RG) Red Granite			(H) Bull Horn
		(AR) Antique Red			(I) Threaded Insert
		(RR) Rustic Red			(O) Outlet
		(SR) Sedona Red			(P) Photo Cell
		(TC) Terra Cotta			(T) Tenon
		(KG) Kelly Green			
		(BZ) Bronze			



P.O. Box 157
 W142 N9110 Fountain Blvd.
 Menomonee Falls, WI 53052-0157
 (888) 719-7599
 (262) 250-7598 fax
 info@concretepoles.com
 www.concretepoles.com