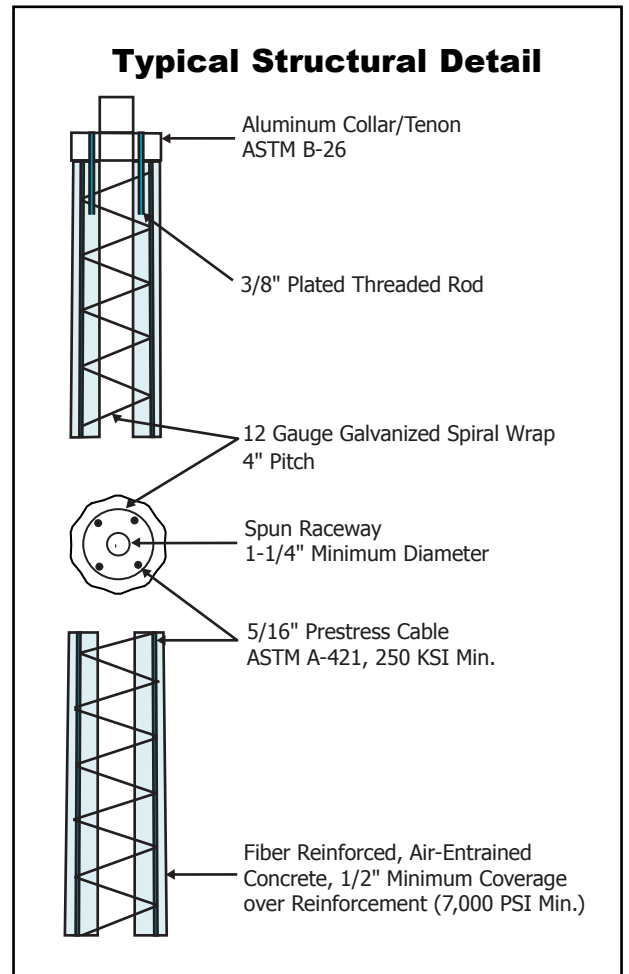
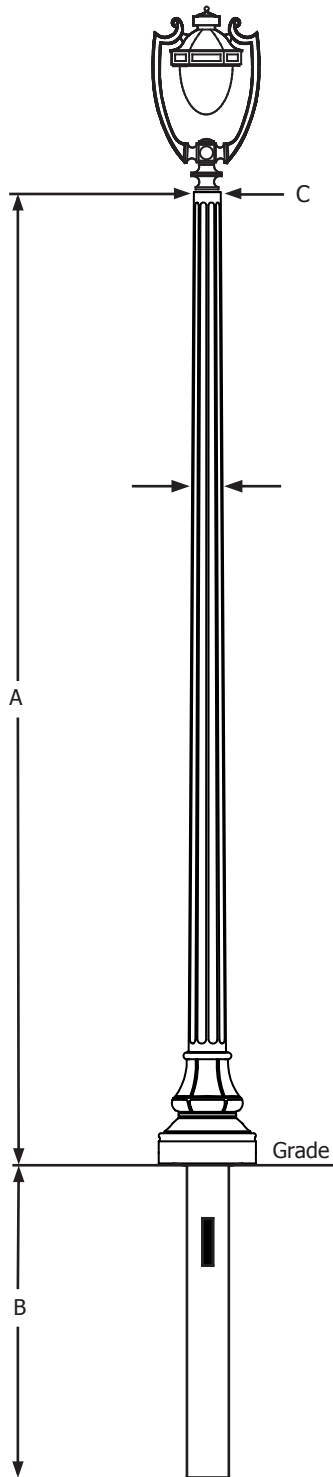


# 2000 Series

Spun Decorative, 10 Flutes



## Pole Dimensions

Pole No.	Above Ground Height (A)	Burial Depth (B)	Tip Diameter (C)	Base Diameter	Est. Pole Weight (lbs.)
D2010	10'	4' 6"	5-3/4"	18"	660
D2013	13'	4' 6"	5-1/4"	18"	730
D2015	15'	4' 6"	5"	18"	900
A2015	15'	----	5"	18"	700

Anchor Base units are available upon request. Standard bolt circle is 25".

## Pole Code

Standard Code: **D2015 - SG - EA - 3T**

Mounting Type	Series + Height Above Ground	Color	Finish	Sealer	Options
(D) Direct Burial (A) Anchor Base	2010 2013 2015	(SG) Sky Gray (SP) Salt & Pepper (CB) Charcoal Black (MS) Midnight Sky Black (EB) Eclipse Black (RG) Red Granite (AR) Antique Red (RR) Rustic Red (SR) Sedona Red (TC) Terra Cotta (KG) Kelly Green (BZ) Bronze	(E) Etched	(A) Acrylic (W) Waterseal	(B) Banner Arm (I) Threaded Insert (O) Outlet (T) Tenon



P.O. Box 157  
W142 N9110 Fountain Blvd.  
Menomonee Falls, WI 53052-0157  
(888) 719-7599  
(262) 250-7598 fax  
info@concretepoles.com  
www.concretepoles.com