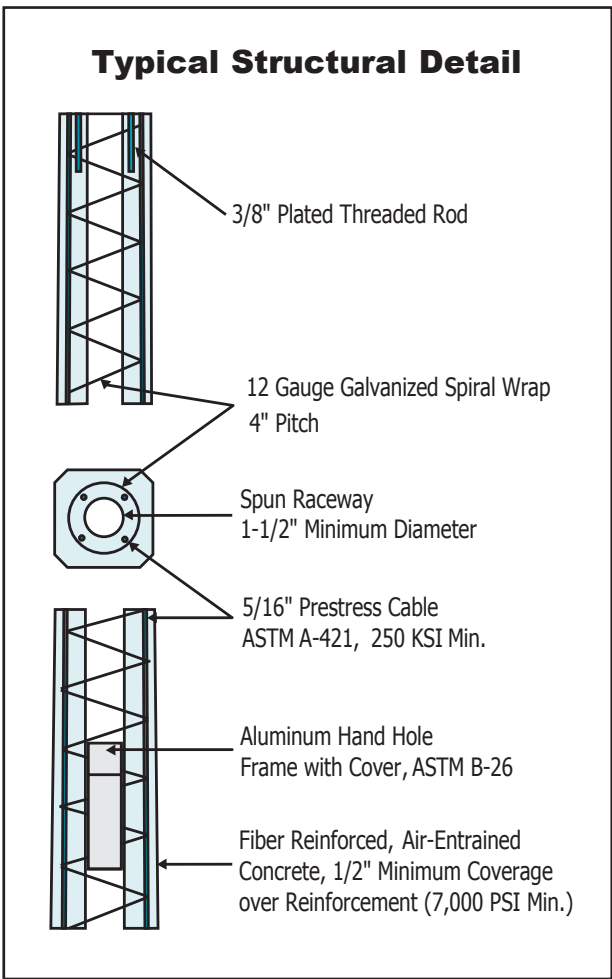
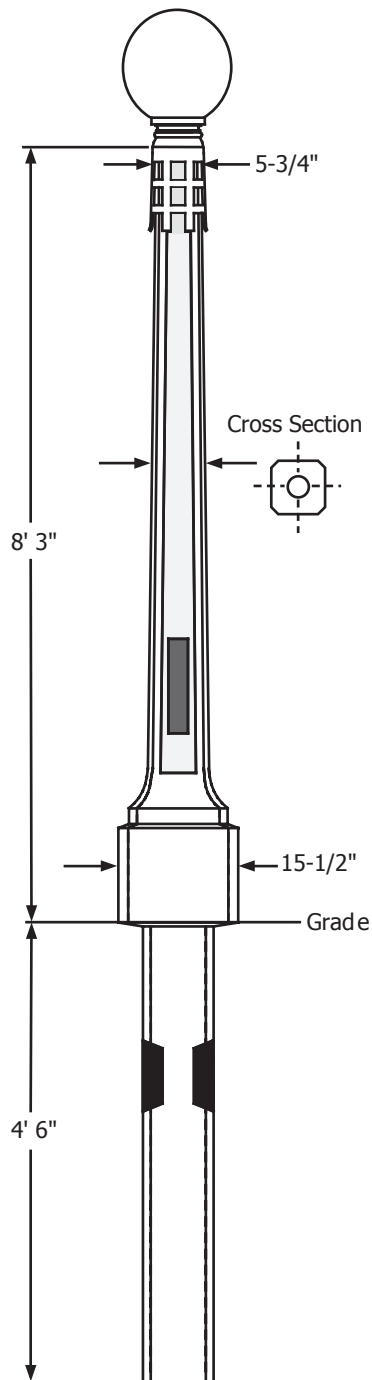


1700 Series

Spun Decorative Square



Pole Dimensions

Pole No.	Above Ground Height	Burial Depth	Tip Diameter	Base Diameter	Est. Pole Weight (lbs.)
D1708	8' 3"	4' 6"	5-3/4"	15-1/2"	900

Anchor Base units are available upon request. Standard bolt circle is 12".

Pole Code

Standard Code: **D1708 - SG - E2A - L**

Mounting Type	Series + Height Above Ground	Color	Finish	Sealer	Options
(D) Direct Burial (A) Anchor Base	1708	(SG) Sky Gray (SP) Salt & Pepper (CB) Charcoal Black (MS) Midnight Sky Black (EB) Eclipse Black (RG) Red Granite (AR) Antique Red (RR) Rustic Red (SR) Sedona Red (TC) Terra Cotta (KG) Kelly Green (BZ) Bronze	(E) Etched (E2) 2-tone Etch	(A) Acrylic (W) Waterseal	(B) Banner Arm (F) Finial Cap (I) Threaded Insert (L) Folium (O) Outlet (T) Tenon



P.O. Box 157
 W142 N9110 Fountain Blvd.
 Menomonee Falls, WI 53052-0157
 (888) 719-7599
 (262) 250-7598 fax
 info@concretepoles.com
 www.concretepoles.com