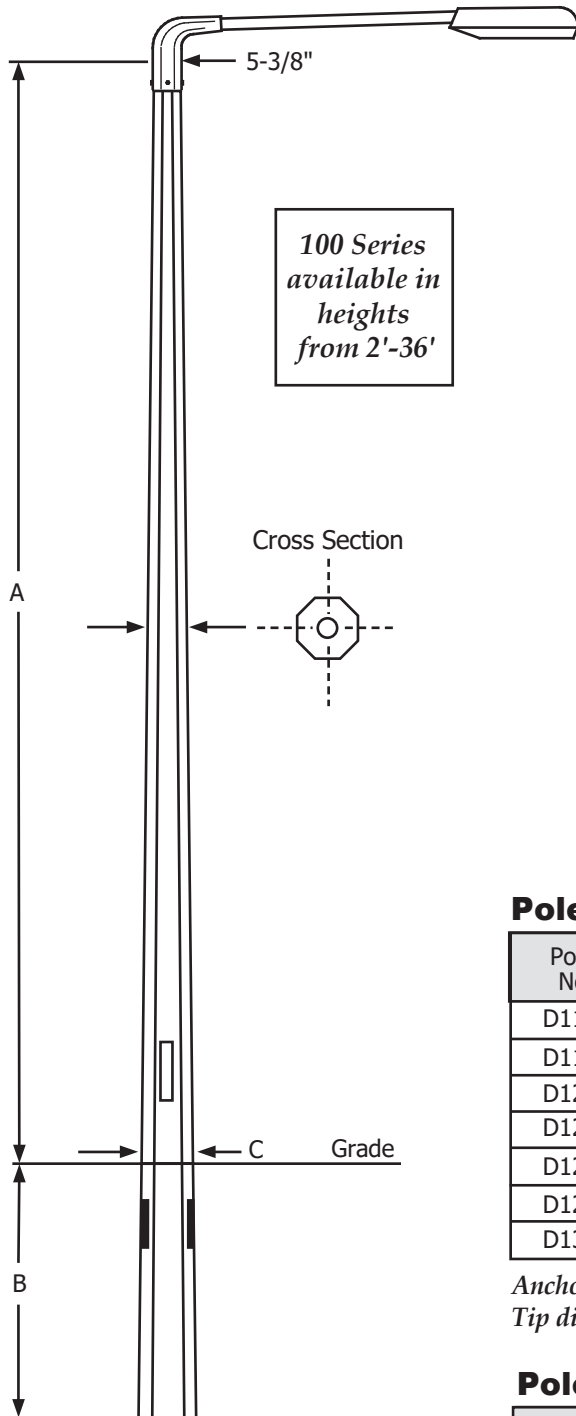
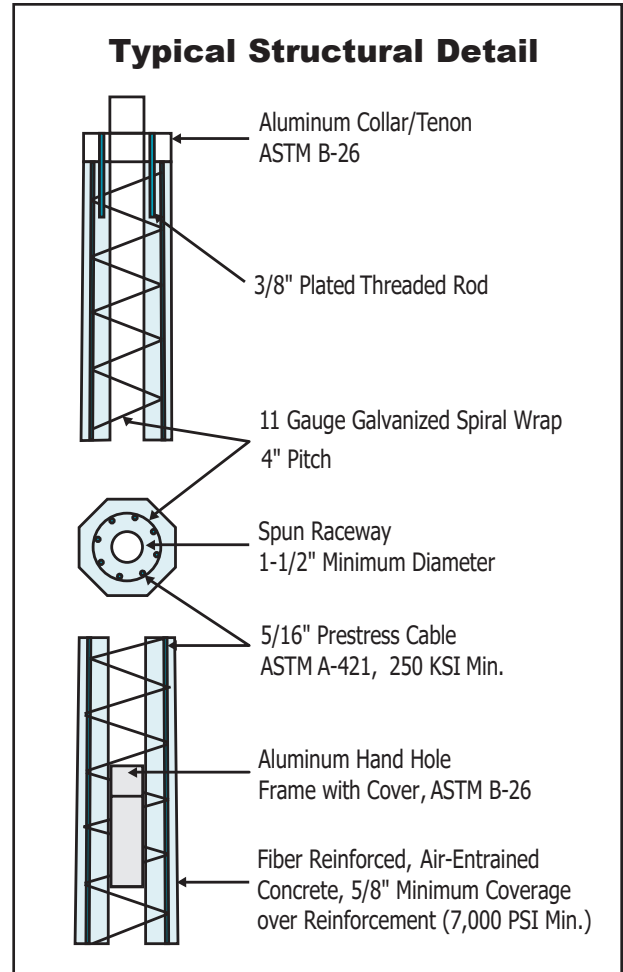
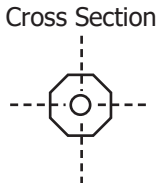


100 Series

Spun straight-taper octagon, 1/8" taper per foot



100 Series available in heights from 2'-36'



Pole Dimensions

| Pole No. | Above Ground Height (A) | Burial Depth (B) | Tip Diameter | Base Diameter (C) | Est. Pole Weight (lbs.) |
|----------|-------------------------|------------------|--------------|-------------------|-------------------------|
| D112 | 12' | 5' | 5-3/8" | 6-7/8" | 600 |
| D118 | 18' | 5' | 5-3/8" | 7-5/8" | 800 |
| D121 | 21' | 5' | 5-3/8" | 8" | 900 |
| D123 | 23' | 5' | 5-3/8" | 8-1/4" | 1,050 |
| D125 | 25' | 5' | 5-3/8" | 8-1/2" | 1,200 |
| D128 | 28' | 5' | 5-3/8" | 8-7/8" | 1,400 |
| D130 | 30' | 6' | 5-3/8" | 9-1/8" | 1,450 |

Anchor Base units are available upon request. Standard bolt circle is 12".
Tip diameters may vary for bolt downs.

Pole Code

Standard Code: **D123 - SG - PA - D**

| Mounting Type | Series + Height Above Ground | Color | Finish | Sealer | Options |
|-------------------|------------------------------|-------------------------|--------------|-------------------|---------------------|
| (D) Direct Burial | 112 | (SG) Sky Gray | (E) Etched | (A) Acrylic | (B) Banner Arm |
| (A) Anchor Base | 118 | (SP) Salt & Pepper | (P) Polished | (W) Waterseal | (C) Clamp-on Arm |
| | 121 | (PG) Pearl Gray | | (G) Anti-Graffiti | (D) Davit Arm |
| | 123 | (CB) Charcoal Black | | | (F) Finial |
| | 125 | (MS) Midnight Sky Black | | | (G) Ground Lug |
| | 128 | (EB) Eclipse Black | | | (H) Bull Horn |
| | 130 | (CN) Cinnamon | | | (I) Threaded Insert |
| | | (BZ) Bronze | | | (O) Outlet |
| | | (WB) Walnut Brown | | | (P) Photo Cell |
| | | (SR) Sedona Red | | | (T) Tenon |
| | | (TC) Terra Cotta | | | |
| | | (KG) Kelly Green | | | |



PO Box 157
W142 N9110 Fountain Blvd.
Menomonee Falls, WI 53052-0157
(888) 719-7599
(262) 250-7598 fax
info@concretepoles.com
www.concretepoles.com