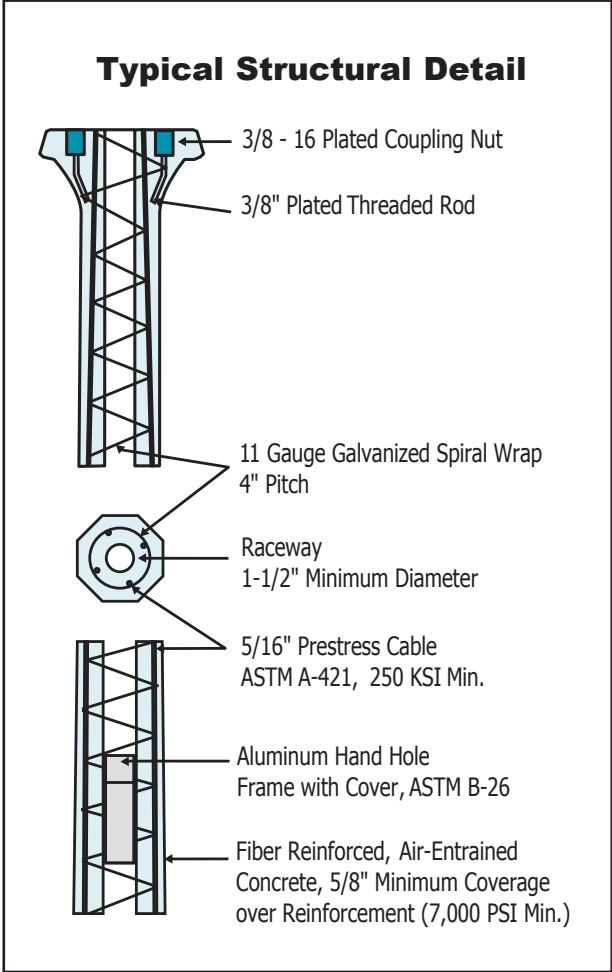
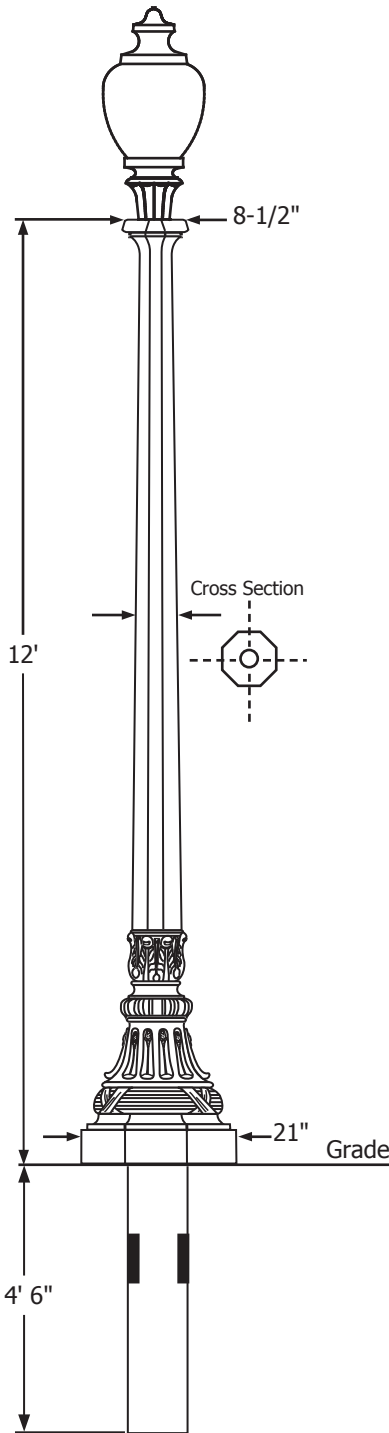


1000 Series

Spun decorative octagon



Pole Dimensions

Pole No.	Above Ground Height	Burial Depth	Tip Diameter	Base Diameter	Est. Pole Weight (lbs.)
A1012	12'	----	8-1/2"	21"	750
D1012	12'	4' 6"	8-1/2"	21"	1,250

Anchor Base units are available upon request. Standard bolt circle is 18".

Pole Code

Standard Code: **A1012 - SG - EA - 3T**

Mounting Type	Series + Height Above Ground	Color	Finish	Sealer	Options
(D) Direct Burial (A) Anchor Base	1012 1012	(SG) Sky Gray (SP) Salt & Pepper (CB) Charcoal Black (MS) Midnight Sky Black (EB) Eclipse Black (RG) Red Granite (AR) Antique Red (RR) Rustic Red (SR) Sedona Red (TC) Terra Cotta (KG) Kelly Green (BZ) Bronze	(E) Etched	(A) Acrylic (W) Waterseal (P) Painted	(B) Banner Arm (C) Clamp-on Arm (G) Ground Lug (I) Threaded Insert (O) Outlet (T) Tenon



P.O. Box 157
W142 N9110 Fountain Blvd.
Menomonee Falls, WI 53052-0157
(888) 719-7599
(262) 250-7598 fax
info@concretepoles.com
www.concretepoles.com